

Gas Engine Generator Set KG-12-V

Gas Engine Type KG-12-V

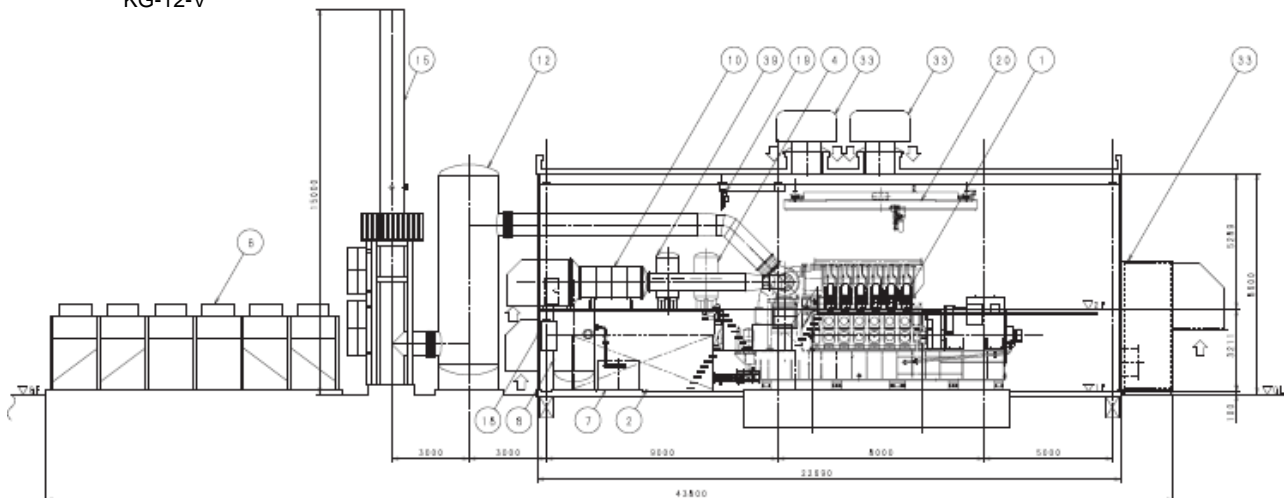
Electrical power	5,200 kW
Fuel input	10,600 kW
Efficiency	49.5 %
Exhaust gas mass flow	8.8 kg/s
Exhaust gas temperature	320 °C
Generator voltage	6.3 / 10.0 / 11.0 kV
Exhaust Heat	2.7 MW
Fuel type	Natural Gas
Emissions	NOx 200ppm
Methan Number	>65

Performance at ISO-conditions without any losses



KG-12-V

KG-12-V



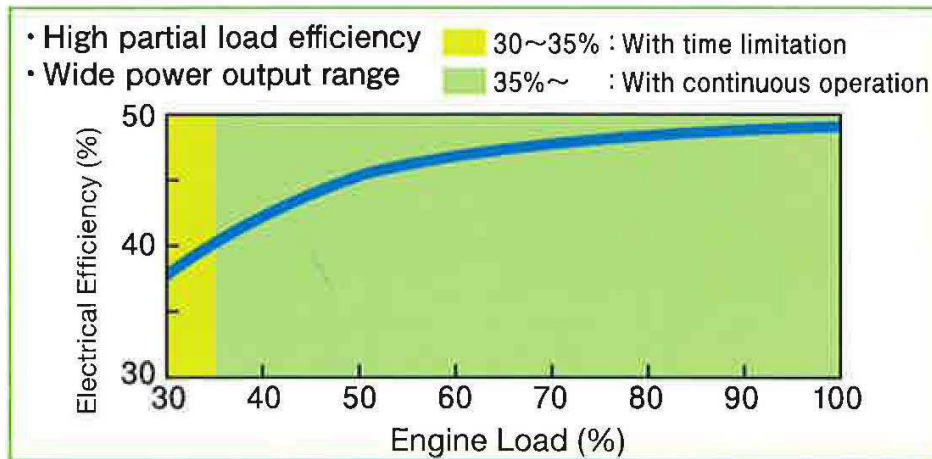
KAWASAKI Gas Turbine Europe GmbH
 Nehringstrasse 15
 61352 Bad Homburg / Germany

Phone+ 49 (0) 6172-73 63-0
 Fax + 49 (0) 6172-73 63-55
 eMail info@kge-gmbh.com

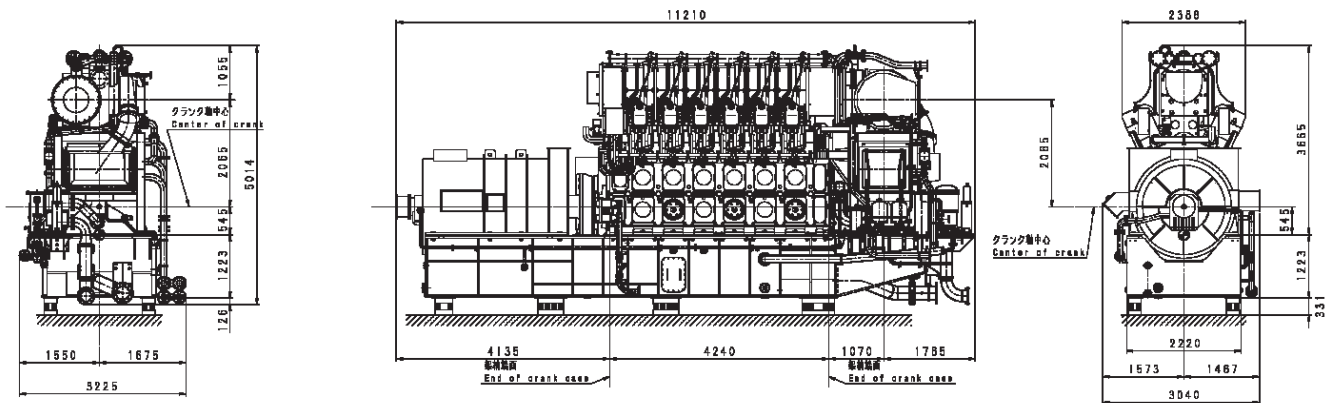
Get Reliable Eco-friendly Energy Now

www.kawasaki-gasturbine.de

Performance Diagrams at standard conditions:



Gas Engine outline:



KAWASAKI Gas Turbine Europe GmbH
 Nehringstrasse 15
 61352 Bad Homburg / Germany

Phone+ 49 (0) 6172-73 63-0
 Fax + 49 (0) 6172-73 63-55
 eMail info@kge-gmbh.com

Get Reliable Eco-friendly Energy Now

www.kawasaki-gasturbine.de