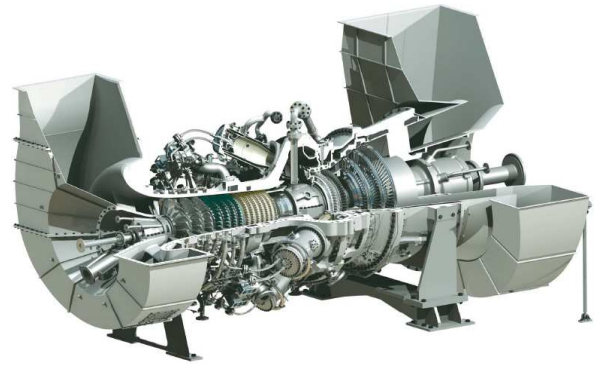


# Gas Turbine Generator Set GPB300D

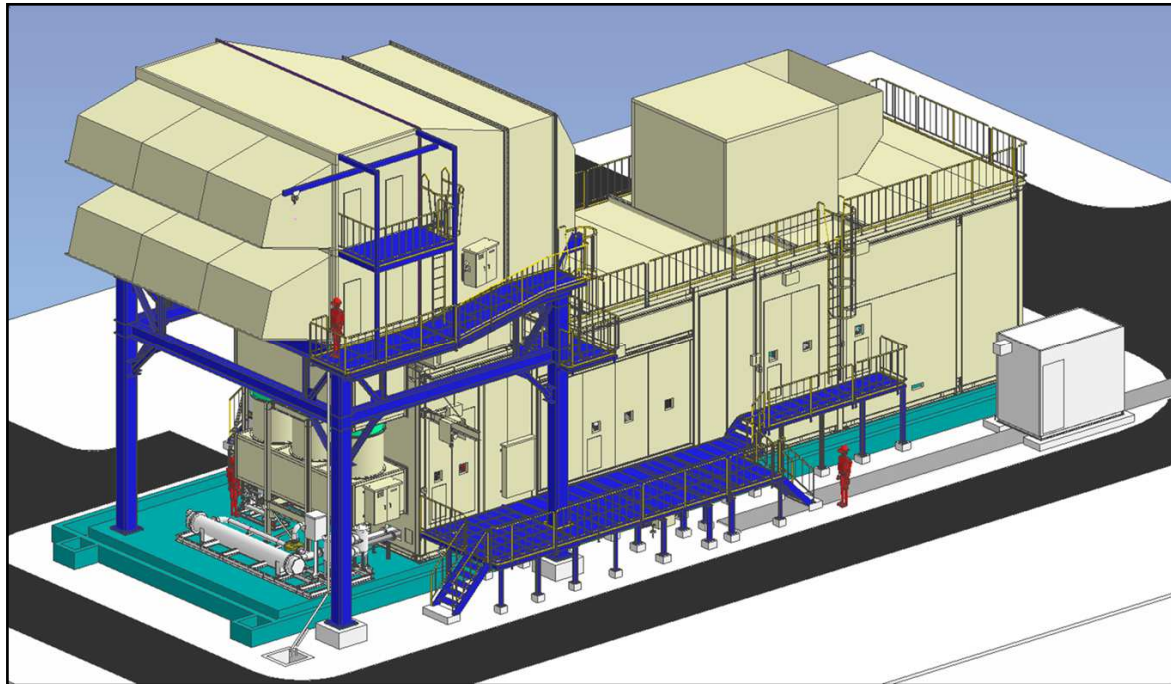
## Gas Turbine Type L30A

Electrical power	34,300	kW
Fuel input	75,100	kW
Efficiency	40.3	%
Exhaust gas mass flow	87.2	kg/s
Exhaust gas temperature	470	°C
Generator Voltage	10.5	kV
Steam mass flow 8 bar(g) saturated	46.2	t/h
Fuel type	Natural Gas	
Emissions	NOx 15ppm(9ppm) / CO 25ppm	

Performance at ISO-conditions w/o duct losses at Generator Terminal



GPB300D



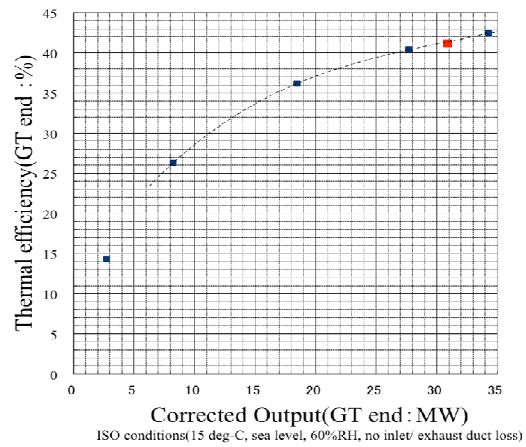
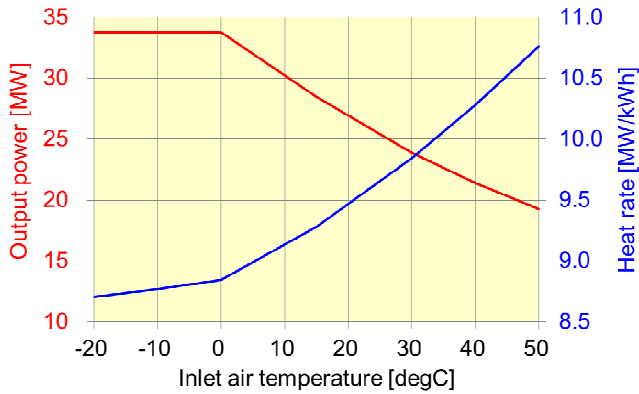
**KAWASAKI** Gas Turbine Europe GmbH  
Nehringstrasse 15  
61352 Bad Homburg / Germany

Phone+ 49 (0) 6172-73 63-0  
Fax + 49 (0) 6172-73 63-55  
eMail [info@kge-gmbh.com](mailto:info@kge-gmbh.com)

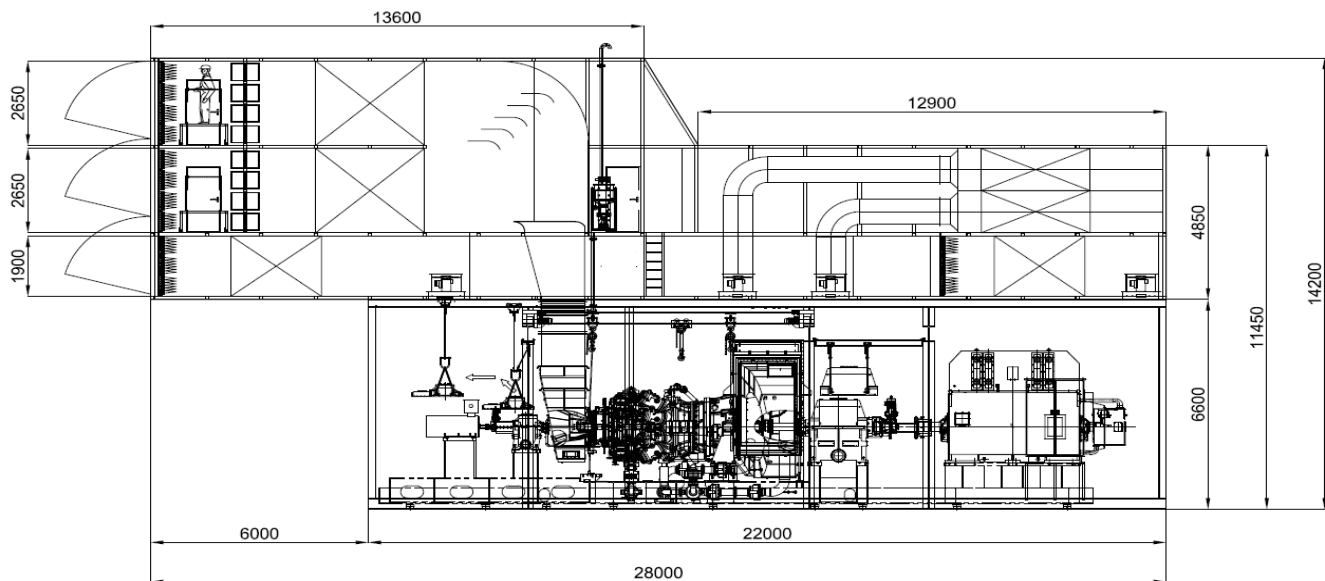
**Get Reliable Eco-friendly Energy Now**

[www.kawasaki-gasturbine.de](http://www.kawasaki-gasturbine.de)

**Performance Diagrams at standard conditions:**



**Typical Layout drawing for outdoor installation (preliminary):**



**KAWASAKI** Gas Turbine Europe GmbH  
 Nehringstrasse 15  
 61352 Bad Homburg / Germany

Phone+ 49 (0) 6172-73 63-0  
 Fax + 49 (0) 6172-73 63-55  
 eMail [info@kge-gmbh.com](mailto:info@kge-gmbh.com)

**Get Reliable Eco-friendly Energy Now**

[www.kawasaki-gasturbine.de](http://www.kawasaki-gasturbine.de)